

Neo HV



When to choose a Neo HV lifting arm:

The Neo HV is a lifting arm, thanks to which, in combination with a lifting magnet, you can easily turn a workpiece from the horizontal to the vertical position. You will appreciate this when handling sheets, metal plates and round materials for lathes and horizontal machining centres.

APPLICATION



Lifting

TECHNOLOGY



Permanent

LIFTING CAPACITY



up to 1000 kg

LOAD DIMENSION



up to 1000 x 2000 mm

TEMPERATURE



max. 80 °C

Important parameters:

Nominal lifting capacity for flat material:

up to 1000 kg

Safety factor:

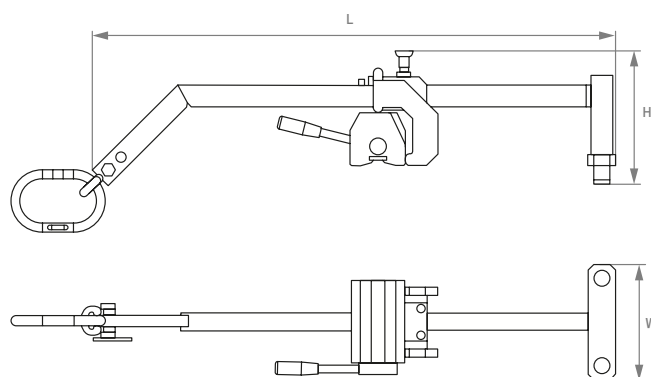
3:1

Additional information:

+ the lifting magnet is not included

Use:

+ for manoeuvring workpieces to horizontal machining centres and lathes



Model	W (mm)	L (mm)	H (mm)	Capacity (kg)	Workpiece width (mm)	Weight (kg)
LARM250	210	958	244	250	300 - 800	16
LARM500	210	1158	244	500	300 - 1000	20
LARM1000	210	1211	297	1000	300 - 1000	33